

BALDOR® • RELIANCE

Product Information Packet

GALCO INDUSTR ELEC

ZDBRPM25754

75HP, 1750RPM,3PH,60HZ,2586,TEBC,FOOT

Part Detail							
Revision:	-	Status:	PRD/A	Change #:		Proprietary:	No
Type:	AC	Prod. Type:		Elec. Spec:	L3272A	CD Diagram:	422927-001
Enclosure:	TEBC	Mfg Plant:		Mech. Spec:		Layout:	617581-001
Frame:	FL2586Z	Mounting:	F3	Poles:	04	Created Date:	04-10-2015
Base:		Rotation:	R	Insulation:	H	Eff. Date:	04-13-2015
Leads:						Replaced By:	
Literature:		Elec. Diagram:					

Nameplate 000613006NS												
	DUTY	HP	RPM	AMPS	VOLTS	HZ						
	CONT	75	1775	95	460	60						
	CONT	75	3545	88	460	120						
CAT.NO.	ZDBRPM25754	SPEC. NO.	P25T0315									
SER.NO		FR	FL 2586Z	INSUL	H							
PH.	3	MAX SAFE SPEED	5000	AMB.	40	MIN. AMB.	-25					
DESIGN NO.	L3272A	TYPE		ENCL.	TEAO-BC							
S.F.	1.0	D.E. BRG.	65BC03JPP30A									
ENCL MOD		O.D.E. BRG.	50BC03JPP30A									

Parts List		
Part Number	Description	Quantity
WS286694	WS P25T0315	1.000 EA
RA282902	RA P25T0315	1.000 EA
000613006NS	RPM AC WITH CERTIFIED LOGO	1.000 EA
000692000FP	NP, WARNING LIFT INSTRUCTIONS	1.000 EA
000692000NH	LABEL DIRECTION AIR FL	1.000 EA
000692000VD	LABEL WARNING	1.000 EA
418018122A	LABEL	2.000 EA
418056062B	NP AC BLOWER DATA	1.000 EA
418057747A	METAL FASTENER	8.000 EA
422927001	C/D LABEL	1.000 EA
036100080KA	M10-1.50X 80MM HXSOCHDCS	3.000 EA
036500010AB	METRIC NUT M10-1.5PLTD400	4.000 EA
036500010AB	METRIC NUT M10-1.5PLTD400	4.000 EA
036610010AB	MHSLW M10 PLATED	4.000 EA
400638001H	SPRING WASHER	1.000 EA
418057491A	LIFTING LUG	2.000 EA
602018077A	DRAIN,DE BRKT	1.000 EA
602018077A	DRAIN,DE BRKT	1.000 EA
609830005ABP	TBOLT	4.000 EA
807582003AAA	BRKT,DE,250AC	1.000 EA
807582004AAB	BRKT,ODE,L250	1.000 EA
032018004AK	HHCS 1/4-20X1/2 PLATED	2.000 EA
032018008DK	HHCS 1/2-13X1 PLATED	4.000 EA
032018010DK	HHCS 1/2-13X1-1/4 PLATED	2.000 EA

Parts List (continued)		
Part Number	Description	Quantity
036000012HB	HHCS M6X12MM LONG PLATED	3.000 EA
036000020HB	HHCS M6-1.0X20MM PLATED	4.000 EA
036310010FB	RHMS TERM/BLK MTG	2.000 EA
036320008CB	M2.5 SCREW	4.000 EA
036500006AB	M4-0.7 METRIC HEX NUT	2.000 EA
036620008AB	M6 METRIC EXT LOCKWASHER	1.000 EA
065591000B	GASK 250-280	1.000 EA
075454001AJ	C/BOX, PAINTED 250-280	1.000 EA
075455000A	CBOXC, PAINTED 250-280	1.000 EA
406673002C	.75 CAP PLUG	1.000 EA
412043002E	PLUG	1.000 EA
415000103A	T/LUG #14AWG-#4AWG W/HOLE FOR .250 BOLT	1.000 EA
417733004T	GASKET CONDUIT BOX	2.000 EA
418018074A	GROUND LABEL G100 METRIC 160 D.C.	1.000 EA
418057169A	LKNUT CAMER	1.000 EA
418057260A	SCREW PHILLIPS PAN HD	4.000 EA
418057367A	CLIP, BEI TACH	2.000 EA
418057373A	SCREW SHEET METAL	7.000 EA
418057381A	CONDUIT WASHER	1.000 EA
418057499A	PLATE	1.000 EA
422962051B	STUB SHAFT	1.000 EA
607980192B	RF,BEI,HS35,TWISTLOCK	1.000 EA
613450012A	BLWR MTR	1.000 EA
708533003A	PLATE, BTM FAN/BLOWER	2.000 EA

Product Information Packet: ZDBRPM25754 - 75HP, 1750RPM,3PH,60HZ,2586,TEBC,FOOT

708534003A	BAFFLE, FAN/BLOWER	1.000 EA
708534050B	GRILL, FAN COVER	1.000 EA
708534051A	FL250 FAN GRILL	1.000 EA
000640000P	TAG WINDING THERMOST	1.000 EA
004824007K	SPECIAL PAINT	0.100 EA
034180024GA	KEY 1/2X1/2X3 L	1.000 EA

REL. S.O.	-	VOLTS	460	ENCLOSURE	TEBC	WYE CONN EQ CKT OHMS PER PHASE (AT BASE RATING, 25 °C)
FRAME	FL2586	AMPS	96	MAX SAFE RPM	5000	
HP	75	DUTY	CONT	IM (AMPS)	48	R1 .0443 X1 .229
BASE SPEED	1775	S.F.	1.0	P.F.@NL/FL	.045/.804	R2 .0311 X2 .333
PHASE/HERTZ	3/60	AMB °C/INSUL	40/H	WK ² (LB-FT ²)	4.9	XM 5.73

RATED FULL LOAD DATA


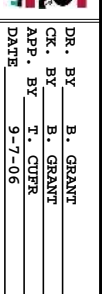
	RPM	HP	TORQUE LB-FT	FUND VOLTS	FREQ-HZ	AMPS
BASE SPEED	1776	75.0	222	460	60	95.3
MAX SPEED	3547	75.1	111	460	120	87.6
MIN SPEED	0	0	222	12.2	.814	95.3

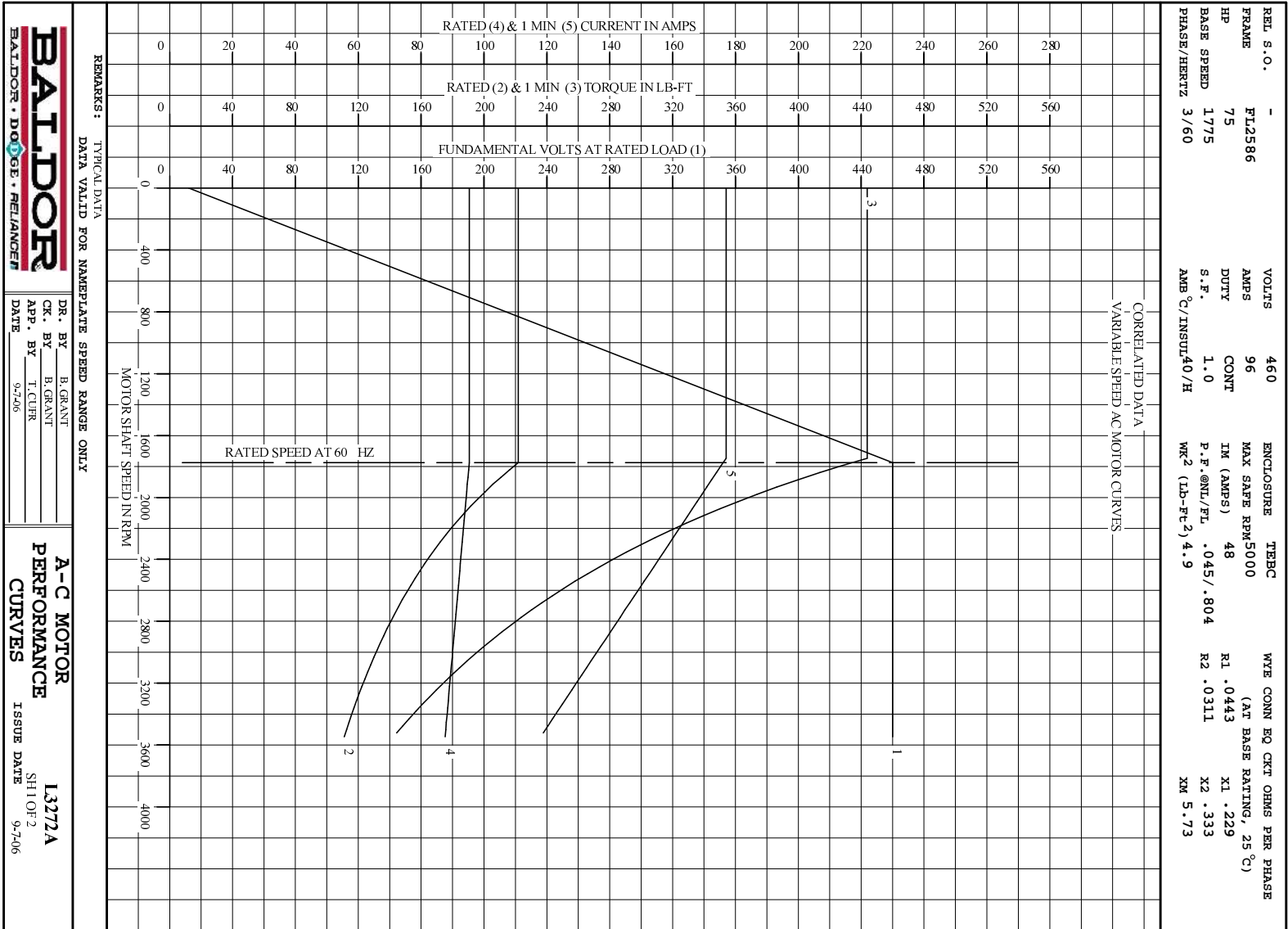
LOAD PERFORMANCE AT BASE SPEED

	RPM	HP	TORQUE LB-FT	FUND VOLTS	FREQ-HZ	AMPS
NO LOAD	1800	0	0	460	60	46.6
1/4	1794	18.8	55	460	60	52.1
1/2	1788	37.5	110	460	60	62.9
3/4	1782	56.2	166	460	60	77.9
FULL LOAD	1776	75.0	222	460	60	95.3
O/L	1746	148	444	460	60	177

BLOWER DATA	VOLTS	PH/HZ	FL AMPS	LR AMPS	FRAME	CFM

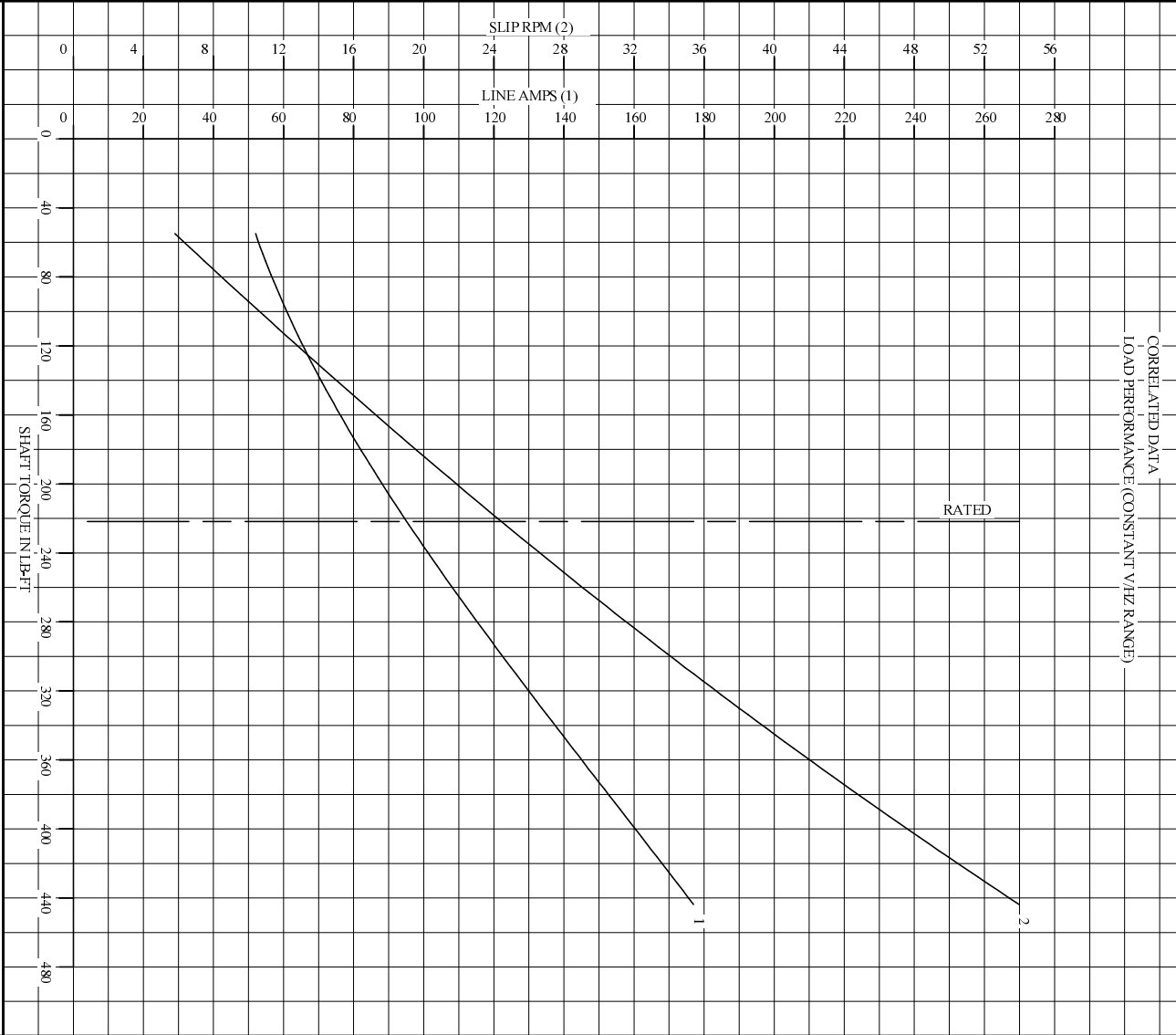
REMARKS: TYPICAL DATA
CORRELATED DATA

	DR. BY	B. GRANT	A-C MOTOR PERFORMANCE DATA
	CK. BY	T. CUER	
	APP. BY	9-7-06	
		L3272A ISSUE DATE 9-7-06	



1

REL S.O.	-	VOLTS	460	ENCLOSURE	TEBC	WYE CONN EQ CKT OHMS PER PHASE
FRAME	FL2586	AMPS	96	MAX SAFE RPM	5000	(AT BASE RATING, 25°C)
HP	75	DUTY	CONT	IM (AMPS)	48	R1 .0443 X1 .229
BASE SPEED	1775	S.F.	1.0	P.F.@NL/FL	.045/.804	R2 .0311 X2 .333
PHASE/HERTZ	3/60	AMB C/INSUL	40/H	WK ² (LB-FT ²)	4.9	XM 5.73



REMARKS: TYPICAL DATA
DATA VALID FOR NAMEPLATE SPEED RANGE ONLY

BALDOR • DOUG • RELIANCE

A-C MOTOR
PERFORMANCE
CURVES

DR. BY B. GRANT
CK. BY B. GRANT
APP. BY T. CURR
DATE 9-7-06

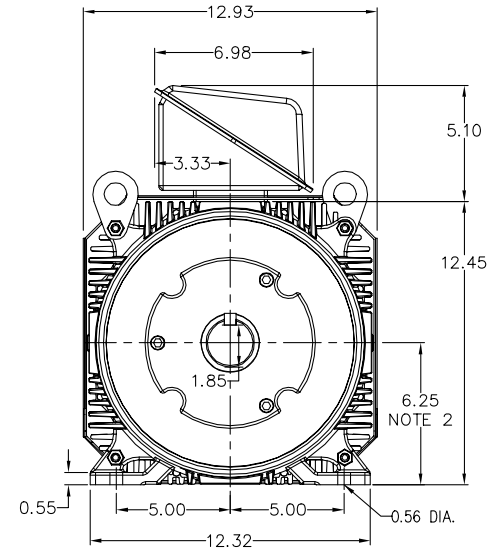
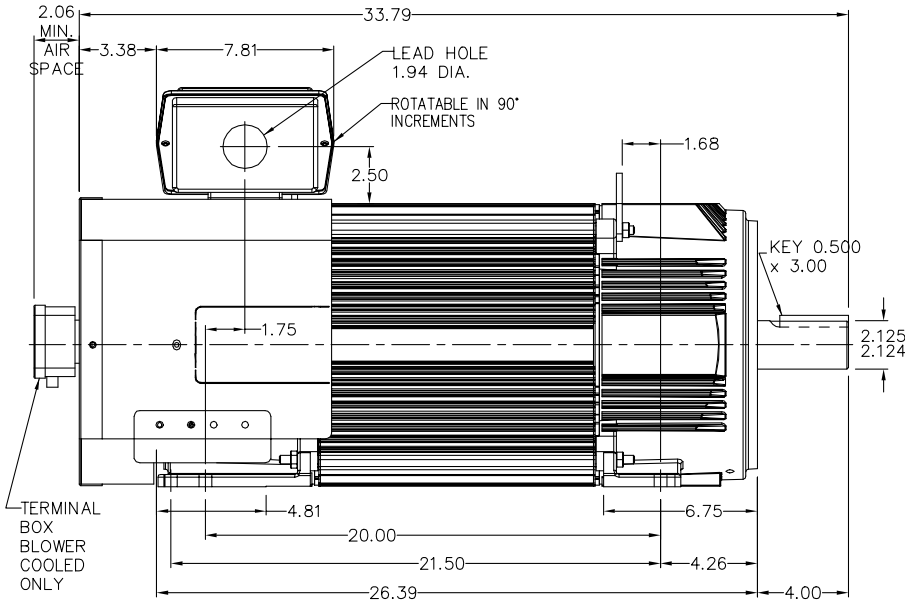
L3272A
SH20F2
ISSUE DATE 9-7-06

617581-001

RPM-AC FINNED FRAME VARIABLE SPEED ALTERNATING CURRENT
MOTOR
FL & UFL2586Z

ENCLOSURE: TOTALLY ENCLOSED
MOUNTING: FOOT
DRIVE METHOD: COUPLED OR BELTED

COOLING: BLOWER COOLED or
FAN COOLED
ACCESSORIES: PROVISIONS FOR
TACHOMETER MOUNTING
ONLY WHEN SPECIFIED



- NOTE 1: C-FACE & TACHOMETER MOUNTING
1/2-13 TAP, 1.00 DEEP, ON A 7.25 DIA. BOLT CIRCLE
FACE RUNOUT AND ECCENTRICITY 0.004 MAX. T.I.R.
- NOTE 2: SHAFT HEIGHT WILL NOT BE EXCEEDED
SHIMS UP TO 0.03 INCHES IN THICKNESS ARE USUALLY
REQUIRED FOR COUPLED OR GREARED MACHINES
- TERMINAL BOX MAY BE LOCATED F1 OR F2 IF SPECIFIED
121 AMP STEEL TERMINAL BOX SHOWN
REFER TO 616779-50 FOR SPECIFIED TERMINAL BOX DIMENSIONS
REFER TO 616779-55 FOR SPECIFIED TACHOMETER DIMENSIONS

MOTOR WEIGHT: 605 LBS. (MAY VARY 15%)
DIMENSIONS ARE IN INCHES SCALE: 1.00

617581-001

CUSTOMER IS RESPONSIBLE FOR DETERMINING THAT BALDOR'S PRODUCT WILL PERFORM SUITABLY IN THE INTENDED APPLICATION.

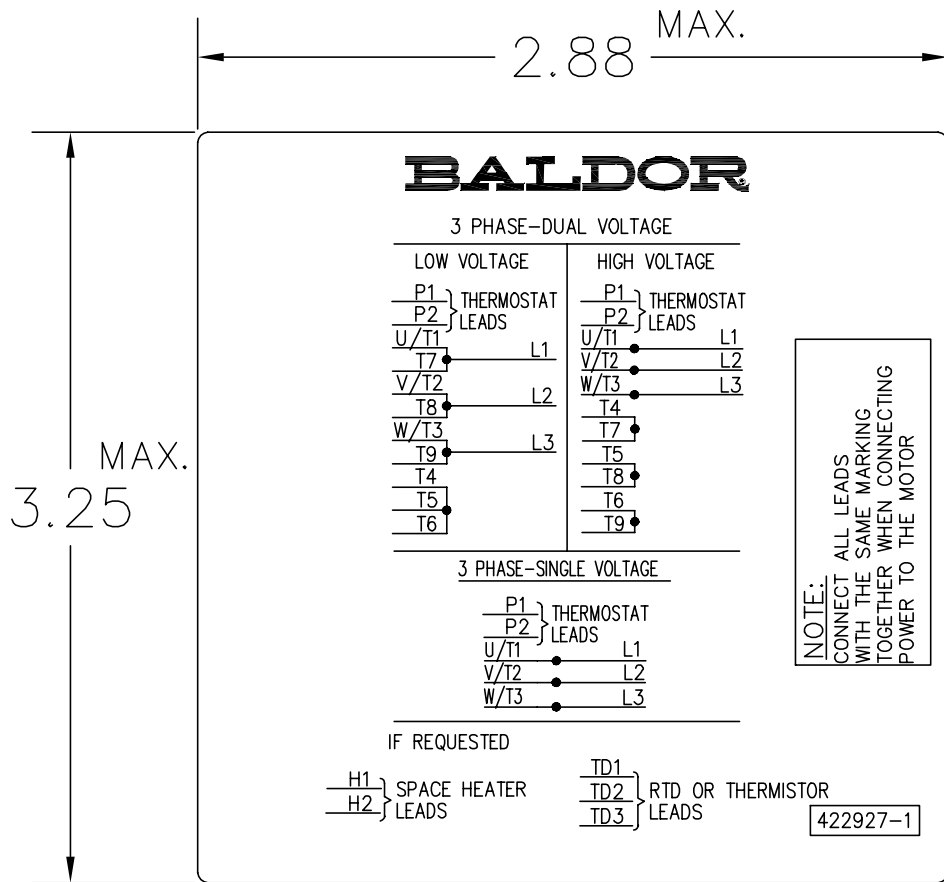
REV. DESC: ASSIGNED TO BUSLOAD		
REV. LTR: -	VERSION: 00	TDR: 000000475986
FILE: \RGG\00002\904	REVISED: 15:23:16 09/17/2008	BY: CONBAT
MTL: -		

BALDOR • DODGE • RELIANCE

DIM SHT FL & UFL2586Z RPM AC TE BLWR OR FAN COOLED

SH 1 of 1

422927-001



NOTE:
DATA TO BE SIZED
SO THAT IT FITS INTO
MATERIAL DECAL
DIMENSIONS. MAKE
LETTERS & NUMBERS
AS LARGE AS POSSIBLE.

MATERIAL: CERAMATIC DGF-P4
PERMA GRIP ADHESIVE

ALL LETTERS, NUMBERS
AND LINES TO BE BLACK
ON WHITE BACKGROUND.

422927-001

REV. DESC: CHANGE BACKGROUND COLOR FROM GOLD TO WHITE		
REV. LTR: B	VERSION: 02	TDR: 000000788708
FILE: \RGG\00000\203	REVISED: 08:09:29 03/04/2013	
MTL: -	BY: RGGWT	

BALDOR

EXTERNAL CONNECTION LABEL

SH 1 of 1

Marketing maintained PDF of MN406:

<http://www.baldor.com/support/Literature/Load.ashx/MN406?ManNumber=MN406>